

# CASE STUDY: DUBAI INTERNATIONAL AIRPORTS OPERATIONS CENTRE AOCC



Dubai Airports  
Connecting the World

**Client:**  
Dubai Airports

**Project name:**  
Airport Operation  
Centre AOCC

**Market sector:**  
Aviation & Transport

**Project location:**  
Dubai, UAE

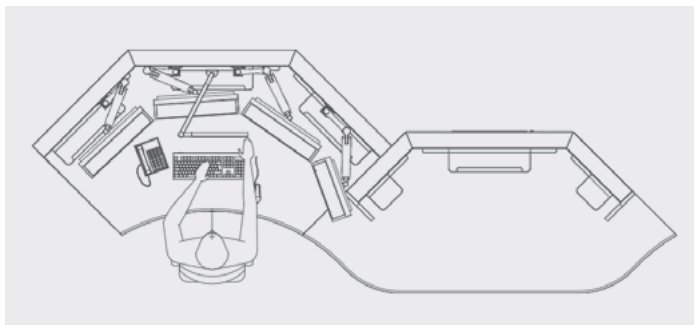
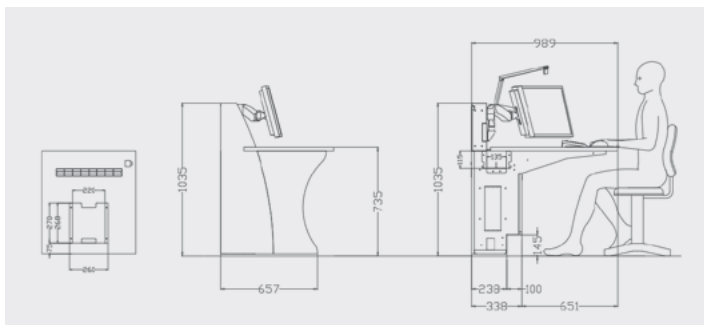
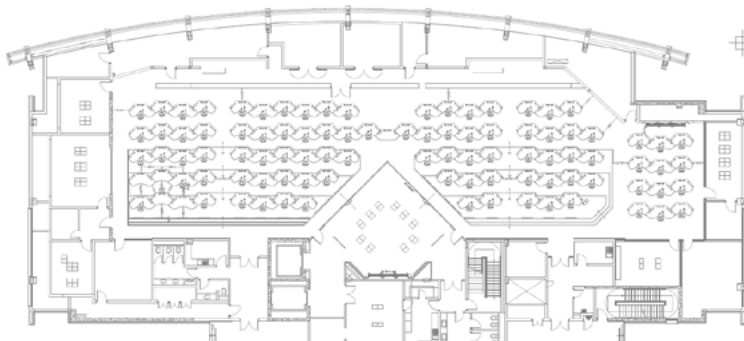
**Operator stations:**  
98 console positions &  
16 person emergency  
response centre table

**Budget:**



## Project overview

Dubai International Airport (DXB) in the United Arab Emirates is one of the world's busiest airports and the new and prestigious Airport Operations Control Centre (AOCC) provides a large, centralised and dedicated facility to enable real-time monitoring across all of the critical airside operations, 24/7.



# CASE STUDY: DUBAI INTERNATIONAL AIRPORTS OPERATIONS CENTRE AOCC

## Services delivered:

- // Consultancy planning
  - // Room ergonomics
  - // Operator ergonomics
- // Control Room design
  - // Render visualisation
    - // Prototyping
  - // Custom consoles
  - // Meeting furniture
    - // 24/7 seating
  - // Strategic partner VA services
    - // Full installation
  - // Project Management

## Project execution

The new control room facility was designed to facilitate 98 workstations to enable 120 members of staff working to monitor 50 real-time data feeds processing 7 billion data points every day.

Working for Dubai Airports and Dubai Airports Engineering Project the Lund Halsey team were proud to be engaged to deliver high performance and highly bespoke console solutions that could withstand the challenges of a critical 24/7 operation whilst ensuring that operators could work collaboratively and in comfort.

## Project outcome

Our role included consultancy planning, overall control room ergonomics and design supported by a full render, visualisation and prototyping service. We also designed-in individual operator ergonomics that included console and workstation design, with full project management bespoke manufacture and final installation of the 98 console positions and a 16 person Emergency response centre table being delivered.

The LundHalsey team are immensely proud to have been awarded this prestigious yet short-lead time project and developed a strong working relationship directly with the team at Dubai Airport.



For more information or to discuss your next control room project please email [salesteam@lundhalsey.com](mailto:salesteam@lundhalsey.com) or call **+44 (0) 1296 489964**

**DESIGN AND VISUALISE YOUR PERFECT CONSOLE WITH LUNDHALSEY DESIGN MY CONTROL ROOM®**